



• ED1232 Series.

DC Brushless fan.

Size: 120 x 120 x 32 mm

4.7 x 1.25 Inches

Airflow: Max. 120 CFM / 3.4 m³/min

Plastic Impeller / Plastic Frame.

Model No.	Rated Voltage	Voltage Range	Input Power	Rated Current	Ref Speed	Max. Airflow		Max. Static Pressure		Noise Level	PQ Curves
	VDC	VDC	Watt	Amp	RPM	CFM	m ³ /min	Inch/H ₂ O	mm/H ₂ O	dB (A)	
ED1232-12SH**	12	8~13.8	10.1	0.84	3750	120	3.4	0.53	13.46	45	1
ED1232-12HH**	12	8~13.8	8.4	0.7	3300	107	3	0.47	11.94	40	2
ED1232-12H**	12	8~13.8	6	0.5	2900	93	2.6	0.41	10.41	35	3
ED1232-12M**	12	8~13.8	5	0.4	2400	80	2.3	0.35	8.89	29	4
ED1232-12L**	12	8~13.8	3	0.25	2000	65	1.8	0.28	7.11	25	5
ED1232-24SH**	24	14~26.4	10.1	0.42	3750	120	3.4	0.53	13.46	45	1
ED1232-24HH**	24	14~26.4	8.4	0.35	3300	107	3	0.47	11.94	40	2
ED1232-24H**	24	14~26.4	7.2	0.3	2900	93	2.6	0.41	10.41	35	3
ED1232-24M**	24	14~26.4	4.8	0.2	2400	80	2.3	0.35	8.89	29	4
ED1232-24L**	24	14~26.4	3.6	0.15	2000	65	1.8	0.28	7.11	25	5
ED1232-48SH**	48	28~56	10.1	0.21	3750	120	3.4	0.53	13.46	45	1
ED1232-48HH**	48	28~56	8.6	0.18	3300	107	3	0.47	11.94	40	2
ED1232-48H**	48	28~56	6	0.12	2900	93	2.6	0.41	10.41	35	3
ED1232-48M**	48	28~56	4	0.08	2400	80	2.3	0.35	8.89	29	4
ED1232-48L**	48	28~56	3.4	0.07	2000	65	1.8	0.28	7.11	25	5

** = "BL" for wire lead type Ball bearing Type.

•We reserve the right to change data and improve electrical & mechanical design without notice. data tolerance +10%

Motor

Motor Type: Brushless DC Motor, auto cutoff, auto restart
 Burnout Protection: Electronically protected, polarity protected
 IP Protection: Ratings on request

Mechanical

Frame: Glass fiber reinforced thermoplastic, rated UL94V-0
 Impeller: 7 blades, glass fiber reinforced plastic, rated UL94V-0
 Bearing: Two ball bearings
 Rotation: CCW seen on rotor
 Connection: Wire lead
 Weight: 200 g (0.44 Lbs)

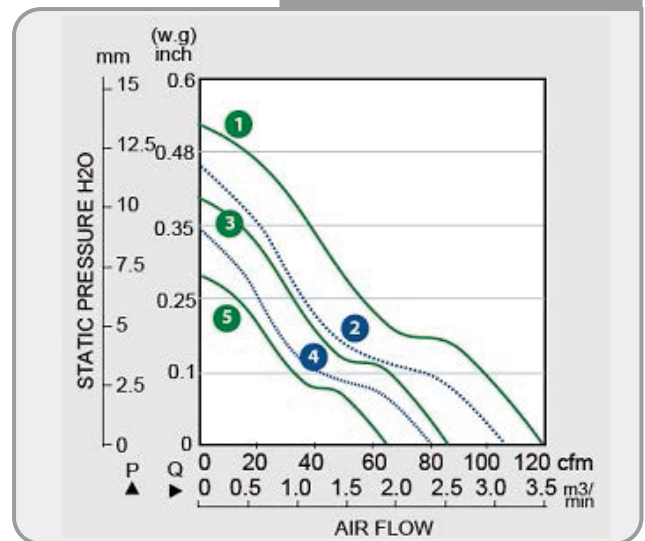
Electrical

Dielectric Strength: 500 VAC/min. Max leakage 500mA
 Speed Control: Optional: PWM, S/C NTC thermister on request
 Signal Output: Optional: R/D alarm output, tachometer output F/G

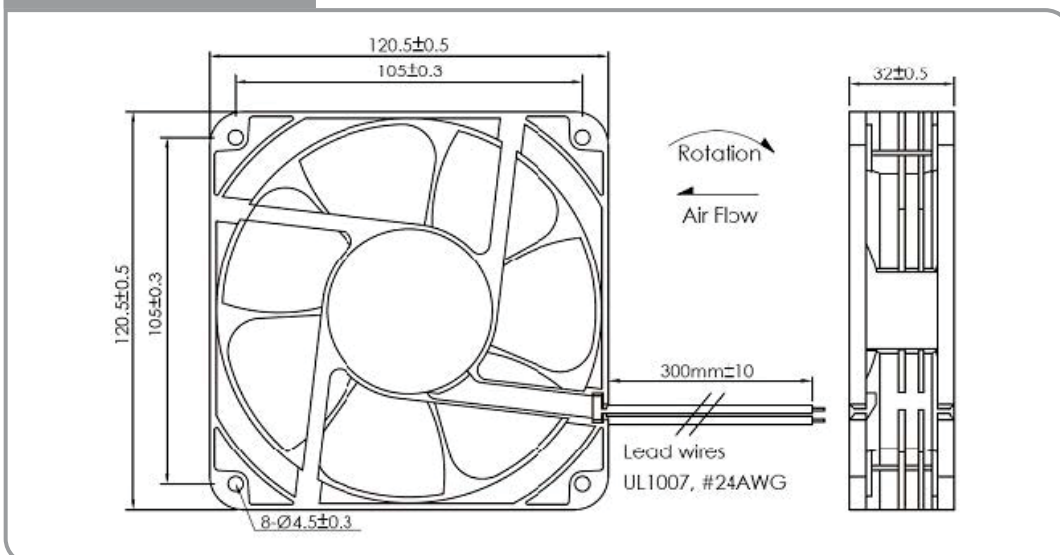
Environment

Operating Temp: Ambient non-condensing -15°C~+65°C
 Storage Temp: -25°C~+80°C (at 65%RH)
 Life Expectancy: L10 70K hours at 40°C, 60K hours at 65°C

► Performance P-Q Curves.



► Outline Dimensions.



Fan Accessories

- Metal Fan Guards
- Plastic Fan Guards
- Plastic Fan Filter
- Metal Fan Screens